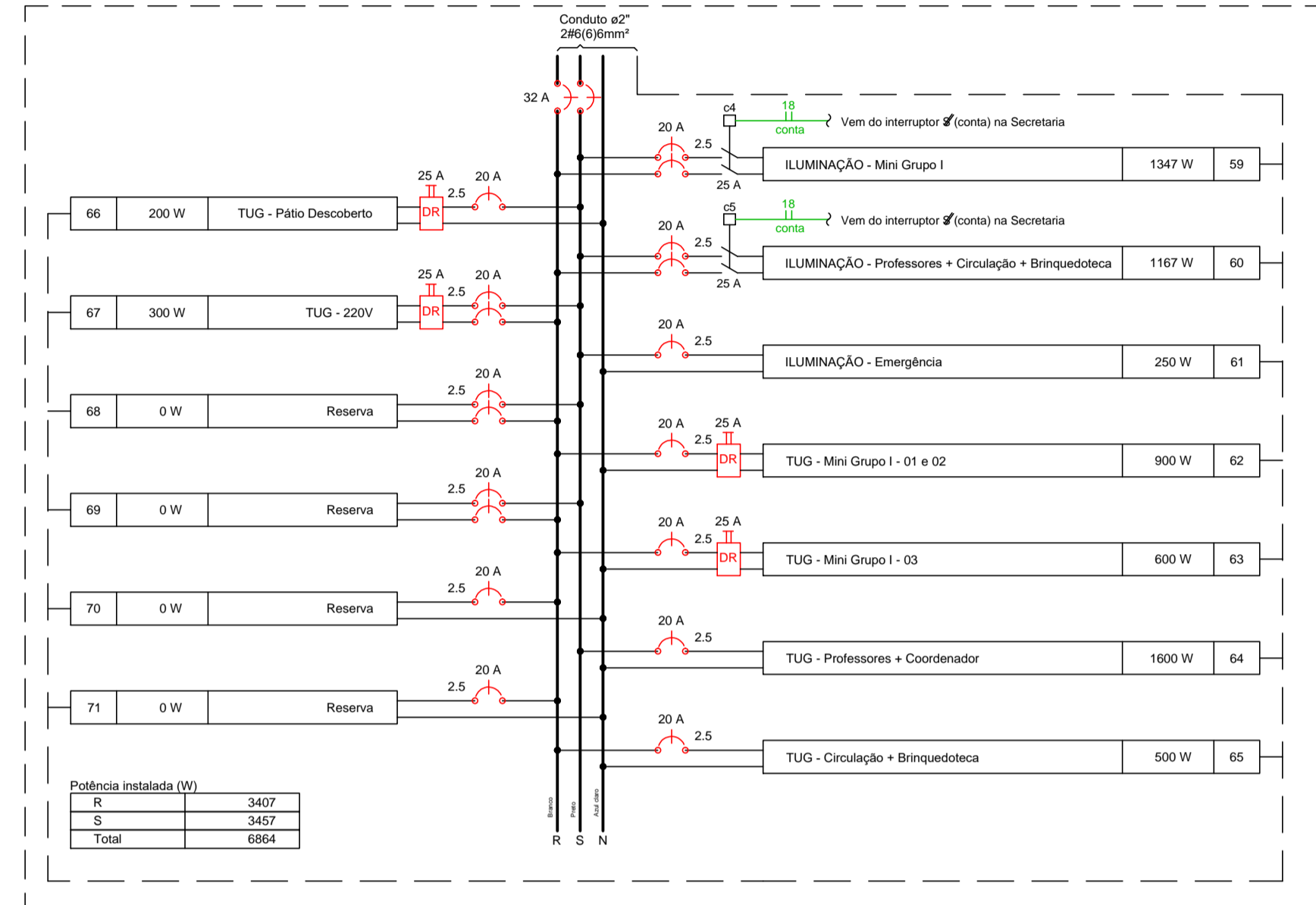


QLF-3 (PRIMEIRO PAVIMENTO)



Quadro de Cargas (QLF-3)																									
Circuito	Descrição	Esquema	Método de inst.	Tensão (V)	Iluminação (W)					Pot. total (VA)	Pot. total (W)	Fases	Pot. - R (W)	Pot. - S (W)	Pot. - T (W)	FP	FCA	FCA'	I _p (A)	I _p (mm ²)	I _c (A)	I _c (mm ²)	Disj	dV parc (%)	dV total (%)
					10	19	30	50	100																
59	ILUMINAÇÃO - Mini Grupo I	F+F+T	B1	220 V	6	8	33	30	100	1374	1347	R+S	674	674	0	0.98	1.00	1.00	4.2	6.2	2.5	24.0	20	0.56	2.43
a					8					318	312	R+S	156	156		1.00	1.00	1.4			2.5	24.0			
a1					2					239	234	R+S	117	117		1.00	1.00	1.1			2.5	24.0			
a2					2					20	20	R+S	10	10		1.00	1.00	0.1			2.5	24.0			
a3					2					239	234	R+S	117	117		1.00	1.00	1.1			2.5	24.0			
a4					2					20	20	R+S	10	10		1.00	1.00	0.1			2.5	24.0			
a5					2					80	78	R+S	39	39		1.00	1.00	0.4			2.5	24.0			
a6					2					239	234	R+S	117	117		1.00	1.00	1.1			2.5	24.0			
a7					2					20	20	R+S	10	10		1.00	1.00	0.1			2.5	24.0			
a8					2					119	117	R+S	59	59		1.00	1.00	0.5			2.5	24.0			
a9					2					80	78	R+S	39	39		1.00	1.00	0.4			2.5	24.0			
a10					3					119	117	R+S	59	59		1.00	1.00	0.5			2.5	24.0			
b					4	8	25	25	100	1395	1279	R+S	640	640	0.98	1.00	1.00	4.8	5.9	2.5	24.0	20	0.96	2.82	
b1					6					239	234	R+S	117	117		1.00	1.00	1.1			2.5	24.0			
b2					2					20	20	R+S	10	10		1.00	1.00	0.1			2.5	24.0			
b3					3					119	117	R+S	59	59		1.00	1.00	0.5			2.5	24.0			
b4					2					60	78	R+S	39	39		1.00	1.00	0.4			2.5	24.0			
b5					1					40	39	R+S	20	20		1.00	1.00	0.2			2.5	24.0			
b6					1					40	39	R+S	20	20		1.00	1.00	0.2			2.5	24.0			
b7					4					629	616	R+S	308	308		1.00	1.00	2.9			2.5	24.0			
b8					1					10	10	R+S	5	5		1.00	1.00	0.0			2.5	24.0			
b9					1					10	10	R+S	5	5		1.00	1.00	0.0			2.5	24.0			
80	ILUMINAÇÃO - Emergência	F+N+T	B1	127 V						250	250	S	250			1.00	1.00	2.0	2.0	2.5	24.0	20	0.39	2.26	
77	TUG - Mini Grupo II - 01 e 02	F+N+T	B1	127 V						15	1500	R	1500			1.00	1.00	1.0	1.1	11.8	2.5	24.0	20	0.78	2.65
78	TUG - Mini Grupo II - 03 e 04	F+N+T	B1	127 V						6	600	R	600			1.00	1.00	1.0	3.1	4.7	2.5	24.0	20	0.31	2.18
79	TUG - 220V	F+F+T	B1	220 V						2	200	R+S	100	100		1.00	1.00	0.5	0.9	2.5	24.0	20	0.06	1.92	
81	Reserva	F+F+T	B1	220 V						0	0	R+S	0	0		1.00	1.00	0.0	0.0	2.5	24.0	20	0.00	0.00	
82	Reserva	F+F+T	B1	220 V						0	0	R+S	0	0		1.00	1.00	0.0	0.0	2.5	24.0	20	0.00	0.00	
83	Reserva	F+N+T	B1	127 V						0	0	R	0	0		1.00	1.00	0.0	0.0	2.5	24.0	20	0.00	0.00	
84	Reserva	F+N+T	B1	127 V						0	0	R	0	0		1.00	1.00	0.0	0.0	2.5	24.0	20	0.00	0.00	
TOTAL					10	8	58	5	41	6915	6864	R+S	3407	3457	0										

Quadro de Cargas (QLF-4)																									
Circuito	Descrição	Esquema	Método de inst.	Tensão (V)	Iluminação (W)					Pot. total (VA)	Pot. total (W)	Fases	Pot. - R (W)	Pot. - S (W)	Pot. - T (W)	FP	FCA	FCA'	I _p (A)	I _p (mm ²)	I _c (A)	I _c (mm ²)	Disj	dV parc (%)	dV total (%)
					10	19	30	50	100																
75	ILUMINAÇÃO - Mini Grupo II - 01 e 02 e 03	F+F+T	B1	220 V	6	8	33	30	100	1374	1347	R+S	674	674	0	0.98	1.00	1.00	4.2	6.2	2.5	24.0	20	0.56	2.43
a					8					318	312	R+S	156	156		1.00	1.00	1.4			2.5	24.0			
a1					2					239	234	R+S	117	117		1.00	1.00	1.1			2.5	24.0			
a2					2					20	20	R+S	10	10		1.00	1.00	0.1			2.5	24.0			
a3					2					239	234	R+S	117	117		1.00	1.00	1.1			2.5	24.0			
a4					2					20	20	R+S	10	10		1.00	1.00	0.1			2.5	24.0			
a5					2					80	78	R+S	39	39		1.00	1.00	0.4			2.5	24.0			
a6					2					239	234	R+S	117	117		1.00	1.00	1.1			2.5	24.0			
a7					2					20	20	R+S	10	10		1.00	1.00	0.1			2.5	24.0			
a8					2					119	117	R+S	59	59		1.00	1.00	0.5			2.5	24.0			
a9					2					80	78	R+S	39	39		1.00	1.00	0.4			2.5	24.0			
b					4	2	15	4		1305	1279	R+S	640	640	0.98	1.00	1.00	4.8	5.9	2.5	24.0	20	0.96	2.82	
b1					6					239	234	R+S	117	117		1.00	1.00	1.1			2.5	24.0			
b2					2					20	20	R+S	10	10		1.00	1.00	0.1			2.5	24.0			
b3					3					119	117	R+S	59	59		1.00	1.00	0.5			2.5	24.0			
b4					2					60	78	R+S	39	39		1.00	1.00	0.4			2.5	24.0			
b5					1					40	39	R+S	20	20		1.00	1.00	0.2			2.5	24.0			
b6					1					40	39	R+S	20	20		1.00	1.00	0.2			2.5	24.0			
b7					4					629	616	R+S	308	308		1.00	1.00	2.9			2.5	24.0			
b8					1					10	10	R+S	5	5		1.00	1.00	0.0			2.5	24.0			
b9					1					10	10	R+S	5	5		1.00	1.00	0.0			2.5	24.0			
80	ILUMINAÇÃO - Emergência	F+N+T	B1	127 V						250	250	S	250			1.00	1.00	2.0	2.0	2.5	24.0	20	0.39	2.26	
77	TUG - Mini Grupo II - 01 e 02	F+N+T	B1	127 V						15	1500	R	1500			1.00	1.00	1.0	1.1	11.8	2.5	24.0	20	0.78	2.65
78	TUG - Mini Grupo II - 03 e 04	F+N+T	B1	127 V						6	600	R	600			1.00	1.00	1.0	3.1	4.7	2.5	24.0	20	0.31	2.18
79	TUG - 220V	F+F+T	B1	220 V						2	200	R+S	100	100		1.00	1.00	0.5	0.9	2.5	24.0	20	0.06	1.92	
81	Reserva	F+F+T	B1	220 V						0	0	R+S	0	0		1.00	1.00	0.0	0.0	2.5	24.0	20	0.00	0.00	
82	Reserva	F+F+T	B1	220 V						0	0	R+S	0	0		1.00	1.00	0.0	0.0	2.5	24.0	20	0.00	0.00	
83	Reserva	F+N+T	B1	127 V						0	0	R	0	0		1.00	1.00	0.0	0.0	2.5	24.0	20	0.00	0.00	
84	Reserva	F+N+T	B1	127 V						0	0	R	0	0		1.00									